

NOW LEASING

SPACE#	SF	RENT	NNN
1746 <i>(Restaurant Village)</i>	1,260 sf	Call	\$0.56
3C <i>(In-Line)</i>	1,600 sf	Call	\$0.56
1602 <i>(Pad)</i>	2,083 sf	Call	\$0.56
1678 A <i>(In-Line)</i>	3,200 sf	Call	\$0.56
1506 <i>(Junior Anchor)</i>	16,000 sf	Call	\$0.56



For information, contact:

Carter Hemming, CA BRE #01123464
chemming@crosspointrealty.com

Phone: 415-288-6888
Fax: 415-288-6877

Crosspoint Realty Services, Inc.
303 Sacramento Street, 3rd Floor
San Francisco, CA 94111
www.crosspointrealty.com



NOW LEASING

North Main Street, Salinas, CA



For information, contact:

Carter Hemming, CA BRE #01123464
chemming@crosspointrealty.com

Phone: 415-288-6888
Fax: 415-288-6877

Crosspoint Realty Services, Inc.
303 Sacramento Street, 3rd Floor
San Francisco, CA 94111
www.crosspointrealty.com



NOW LEASING

North Main Street, Salinas, CA

1,260 sf
Available!



For information, contact:

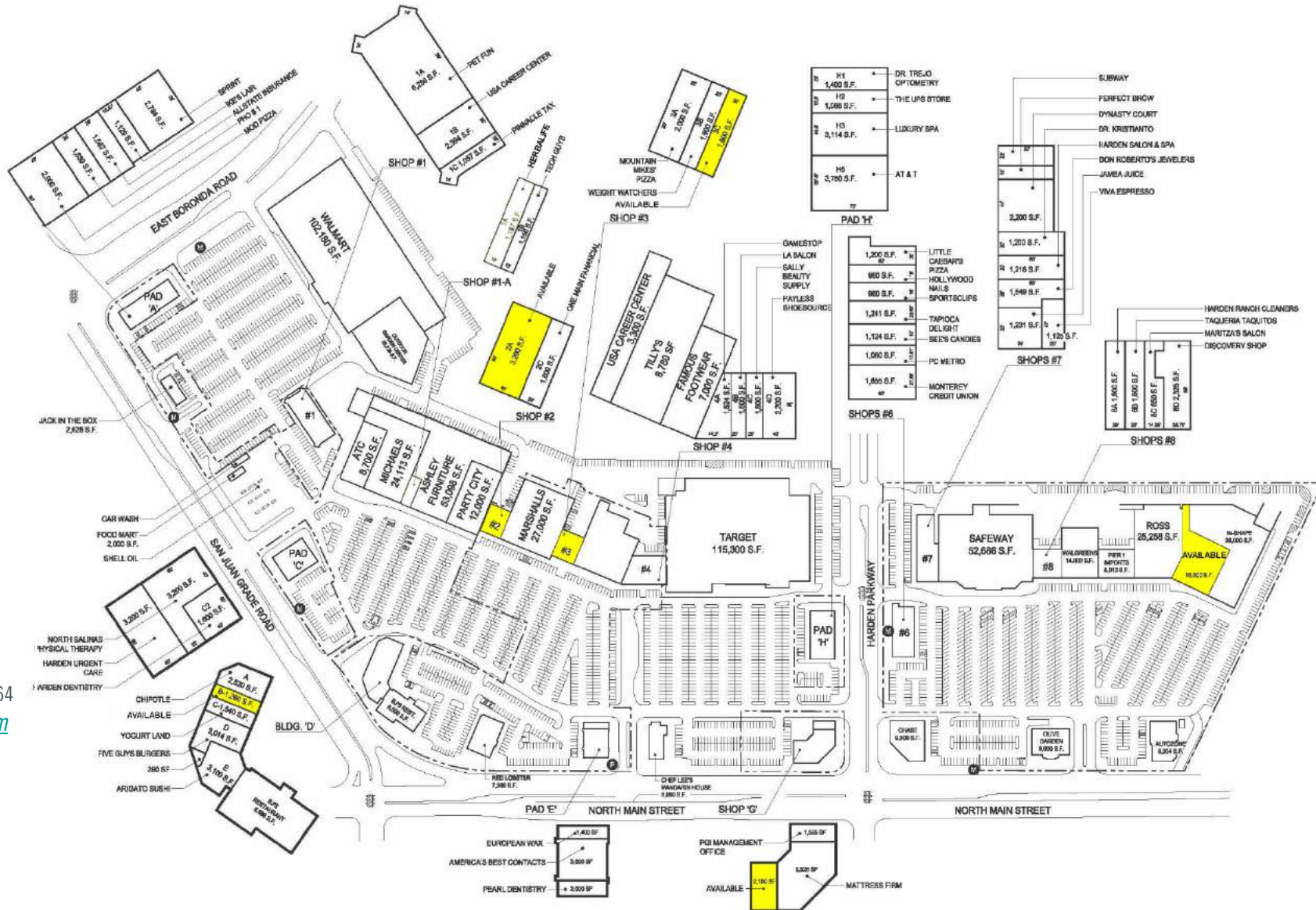
Carter Hemming, CA BRE #01123464
chemming@crosspointrealty.com

Phone: 415-288-6888
Fax: 415-288-6877

Crosspoint Realty Services, Inc.
303 Sacramento Street, 3rd Floor
San Francisco, CA 94111
www.crosspointrealty.com

SITE PLAN

North Main Street, Salinas, CA



For information, contact:

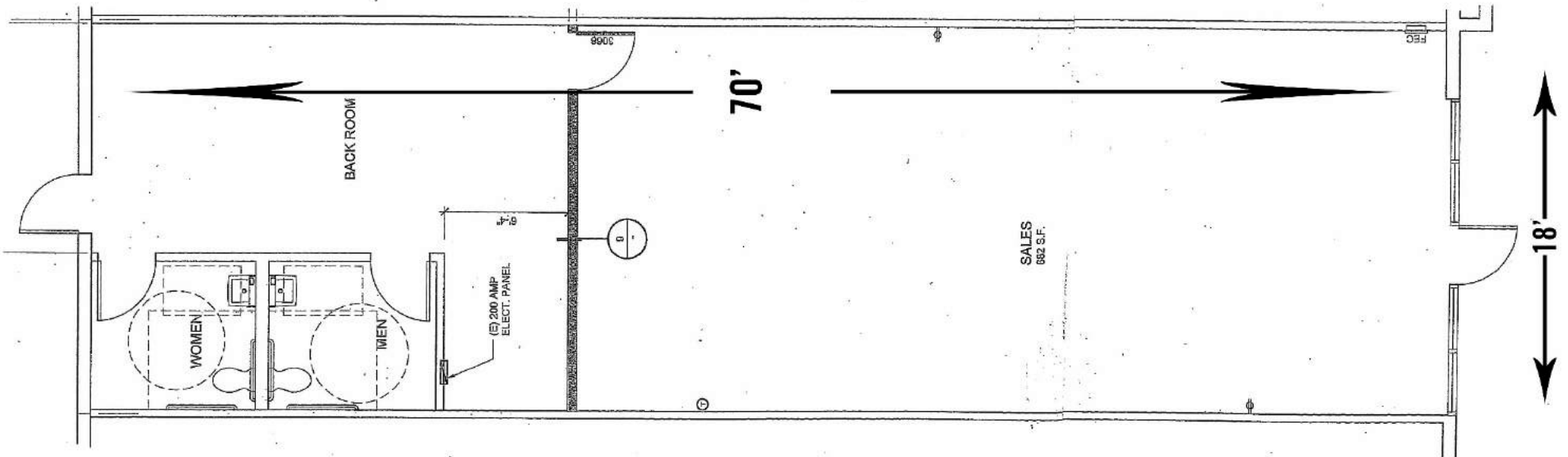
Carter Hemming, CA BRE #01123464
chemming@crosspointrealty.com

Phone: 415-288-6888
Fax: 415-288-6877

Crosspoint Realty Services, Inc.
303 Sacramento Street, 3rd Floor
San Francisco, CA 94111
www.crosspointrealty.com

SPACE PLAN

Space 1746
1,260 SF



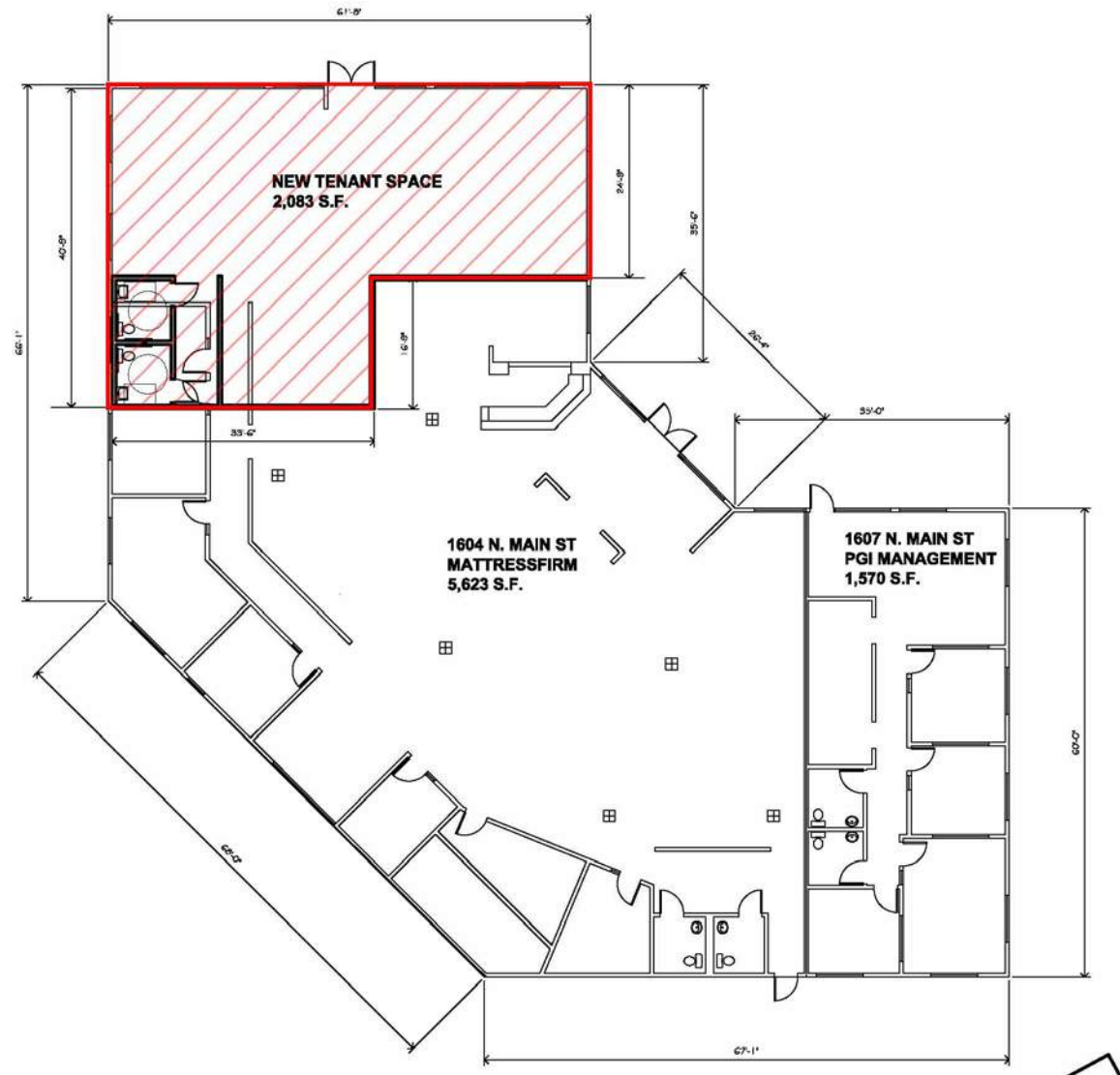
For information, contact:

Carter Hemming,
CA BRE #01123464
chemming@crosspointrealty.com

Phone: 415-288-6888
Fax: 415-288-6877
Crosspoint Realty Services, Inc.
303 Sacramento Street, 3rd Floor
San Francisco, CA 94111
www.crosspointrealty.com

SPACE PLAN

Space 1602
2,083 sf



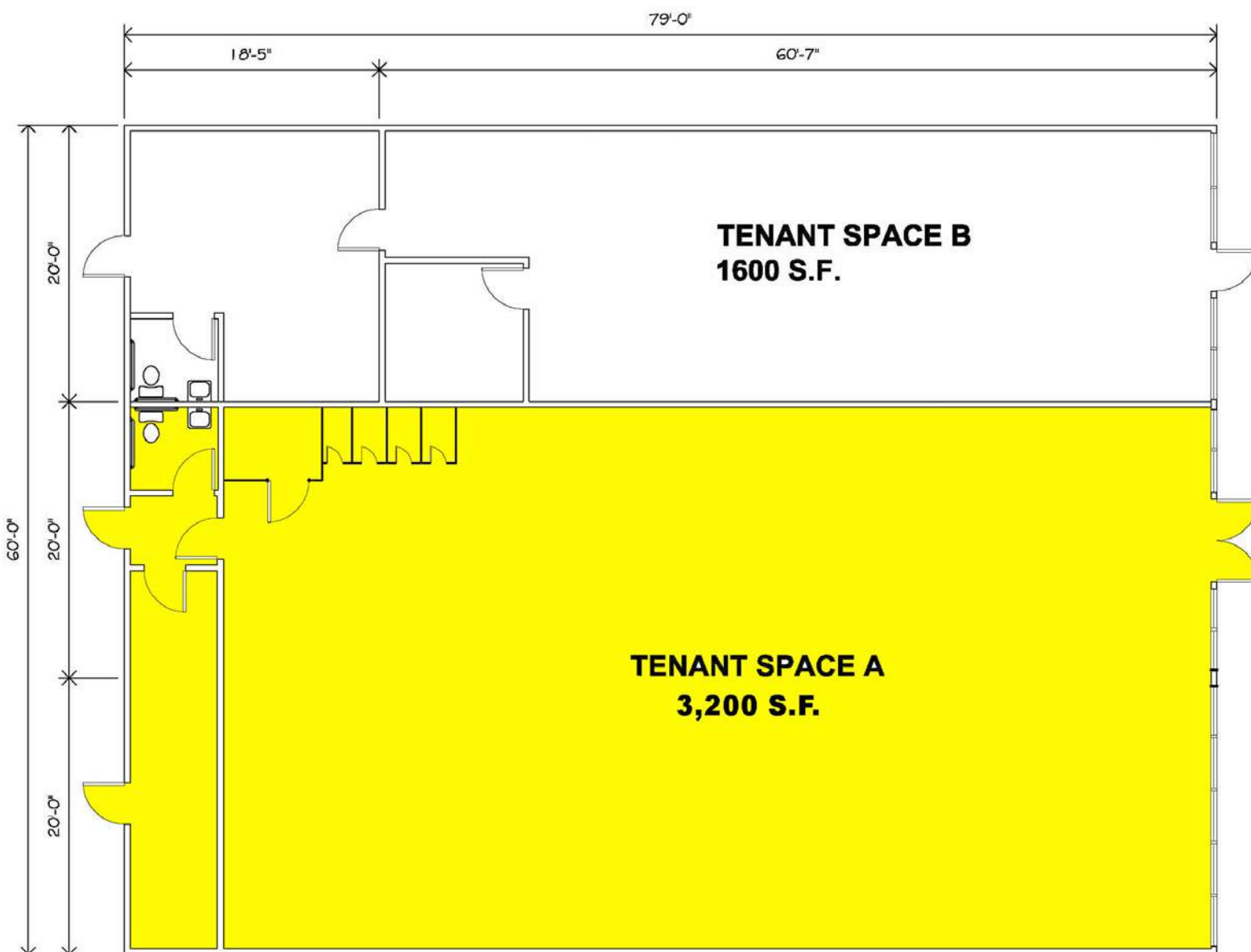
For information, contact:

Carter Hemming,
CA BRE #01123464
chemming@crosspointrealty.com

Phone: 415-288-6888
Fax: 415-288-6877
Crosspoint Realty Services, Inc.
303 Sacramento Street, 3rd Floor
San Francisco, CA 94111
www.crosspointrealty.com

SPACE PLAN

Space 1678 A
3,200 sf



For information, contact:

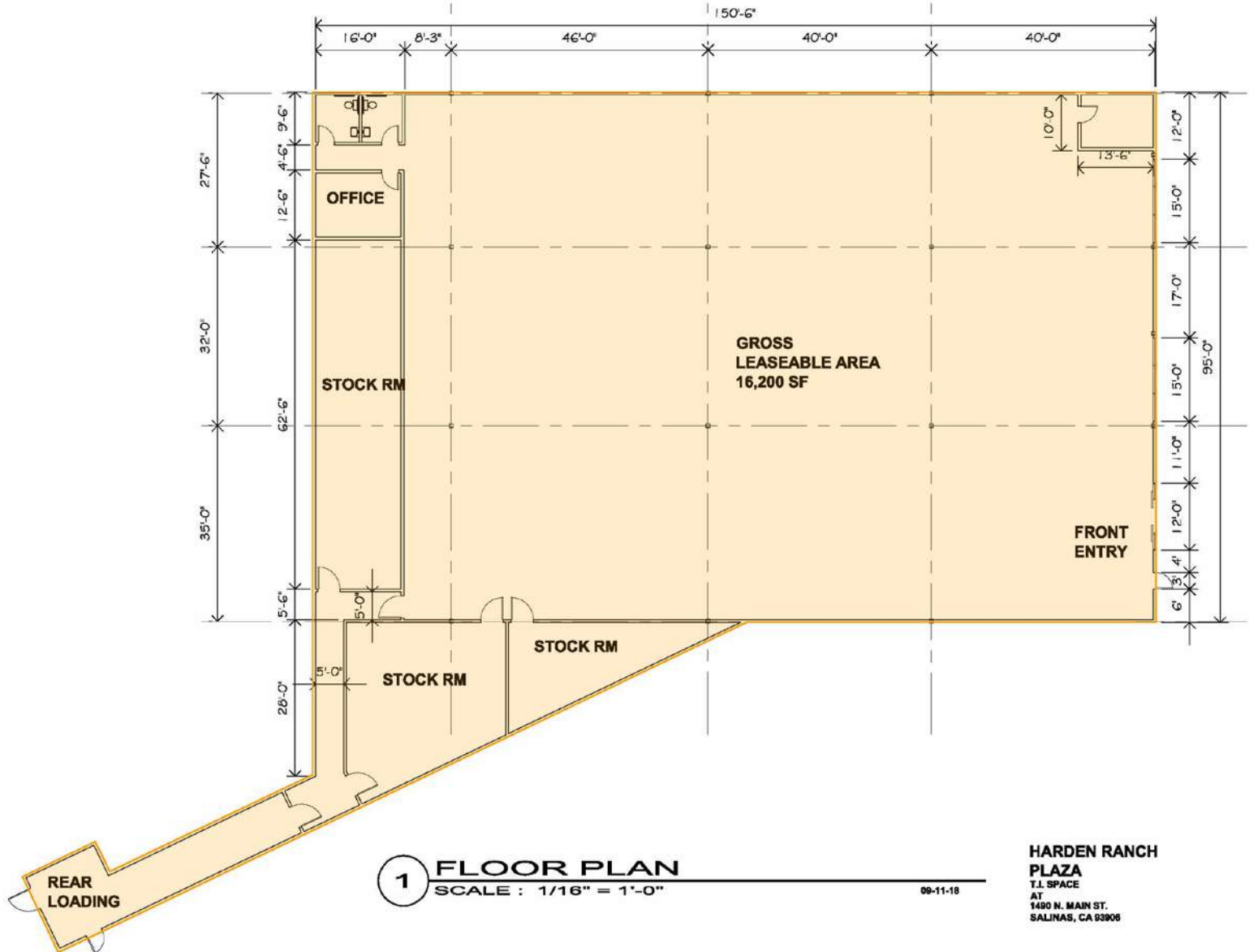
Carter Hemming, CA BRE #01123464
chemming@crosspointrealty.com

Phone: 415-288-6888
Fax: 415-288-6877

Crosspoint Realty Services, Inc.
303 Sacramento Street, 3rd Floor
San Francisco, CA 94111
www.crosspointrealty.com

SPACE PLAN

Space 1506
16,000 sf



For information, contact:

Carter Hemming, CA BRE #01123464
chemming@crosspointrealty.com

Phone: 415-288-6888
Fax: 415-288-6877

Crosspoint Realty Services, Inc.
303 Sacramento Street, 3rd Floor
San Francisco, CA 94111
www.crosspointrealty.com

1 FLOOR PLAN
SCALE : 1/16" = 1'-0"

09-11-18

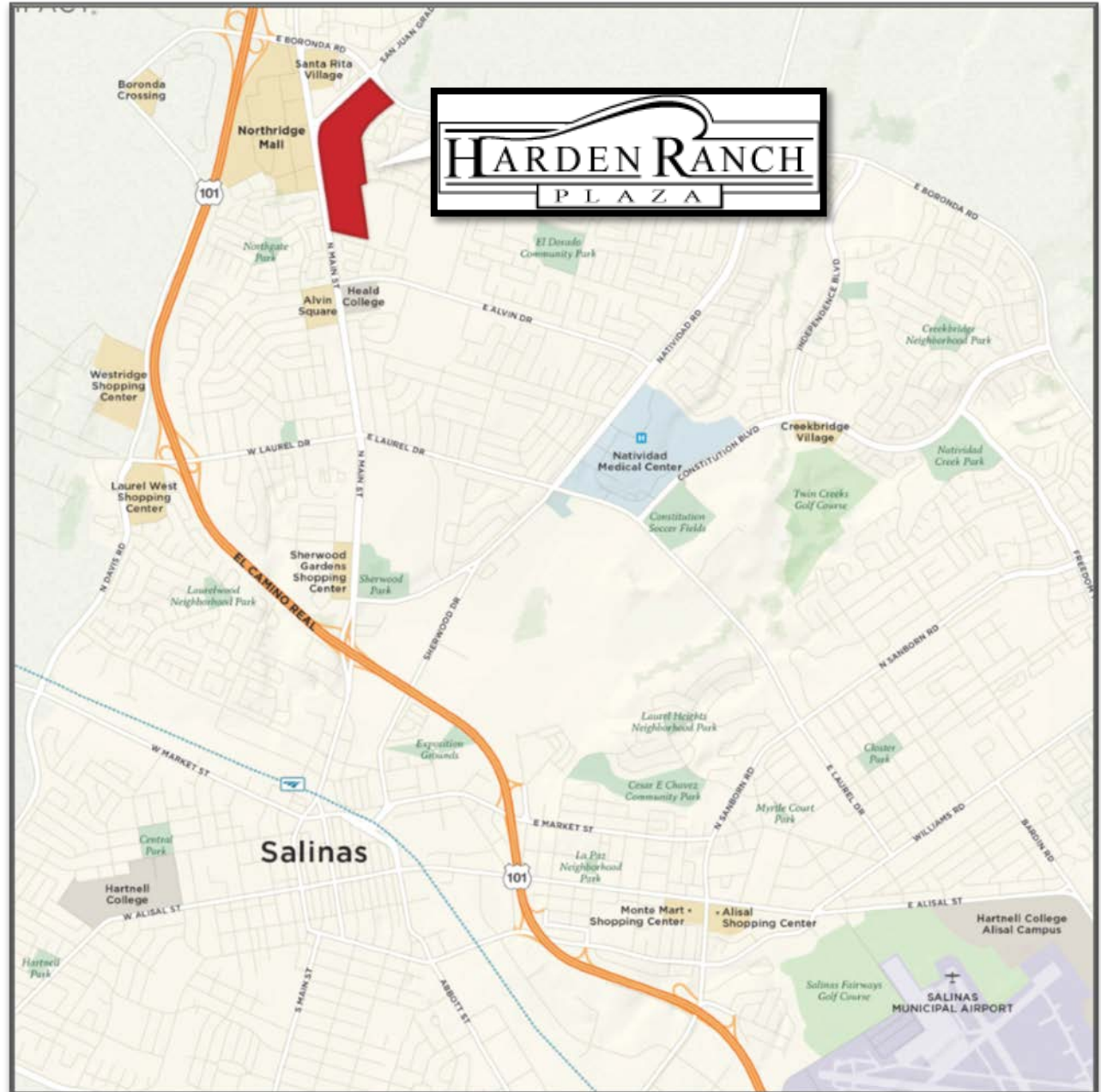
HARDEN RANCH
PLAZA
T.I. SPACE
AT
1400 N. MAIN ST.
SALINAS, CA 93906



North Main Street, Salinas, CA

AREA MAP

Harden Ranch Plaza is the region's preeminent open air shopping center. Located on North Main Street, near the intersection of Hwy 101, Harden Ranch consists of over 700,000 square feet of top-performing community serving retailers.



For information, contact:

Carter Hemming, CA BRE #01123464
chemming@crosspointrealty.com

Phone: 415-288-6888
Fax: 415-288-6877

Crosspoint Realty Services, Inc.
303 Sacramento Street, 3rd Floor
San Francisco, CA 94111
www.crosspointrealty.com

AREA MAP



North Main Street, Salinas, CA



For information, contact:

Carter Hemming, CA BRE #01123464
chemming@crosspointrealty.com

Phone: 415-288-6888
Fax: 415-288-6877

Crosspoint Realty Services, Inc.
303 Sacramento Street, 3rd Floor
San Francisco, CA 94111
www.crosspointrealty.com